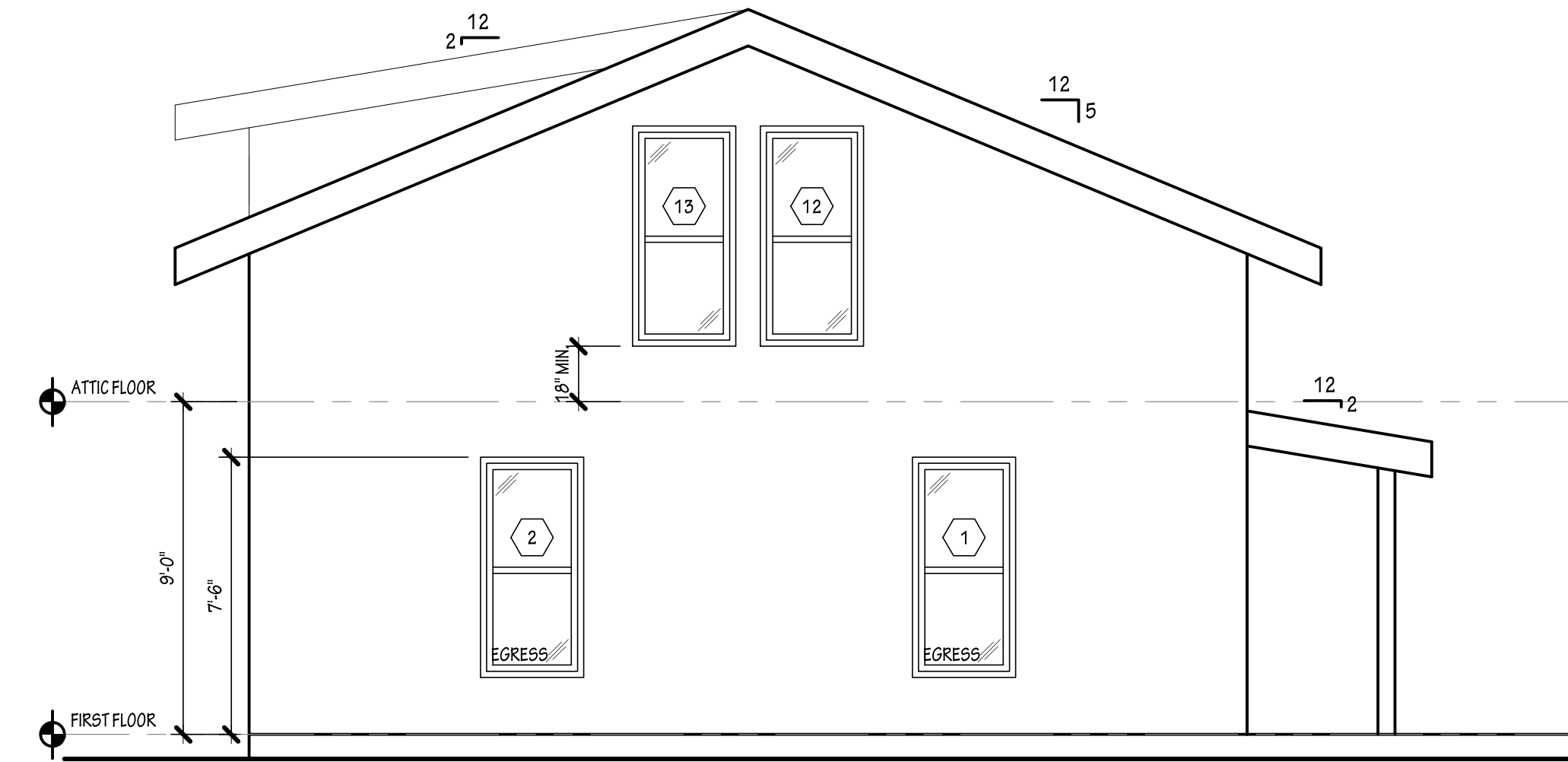


1 SOUTH ELEVATION

SCALE: 1/4"=1'-0"



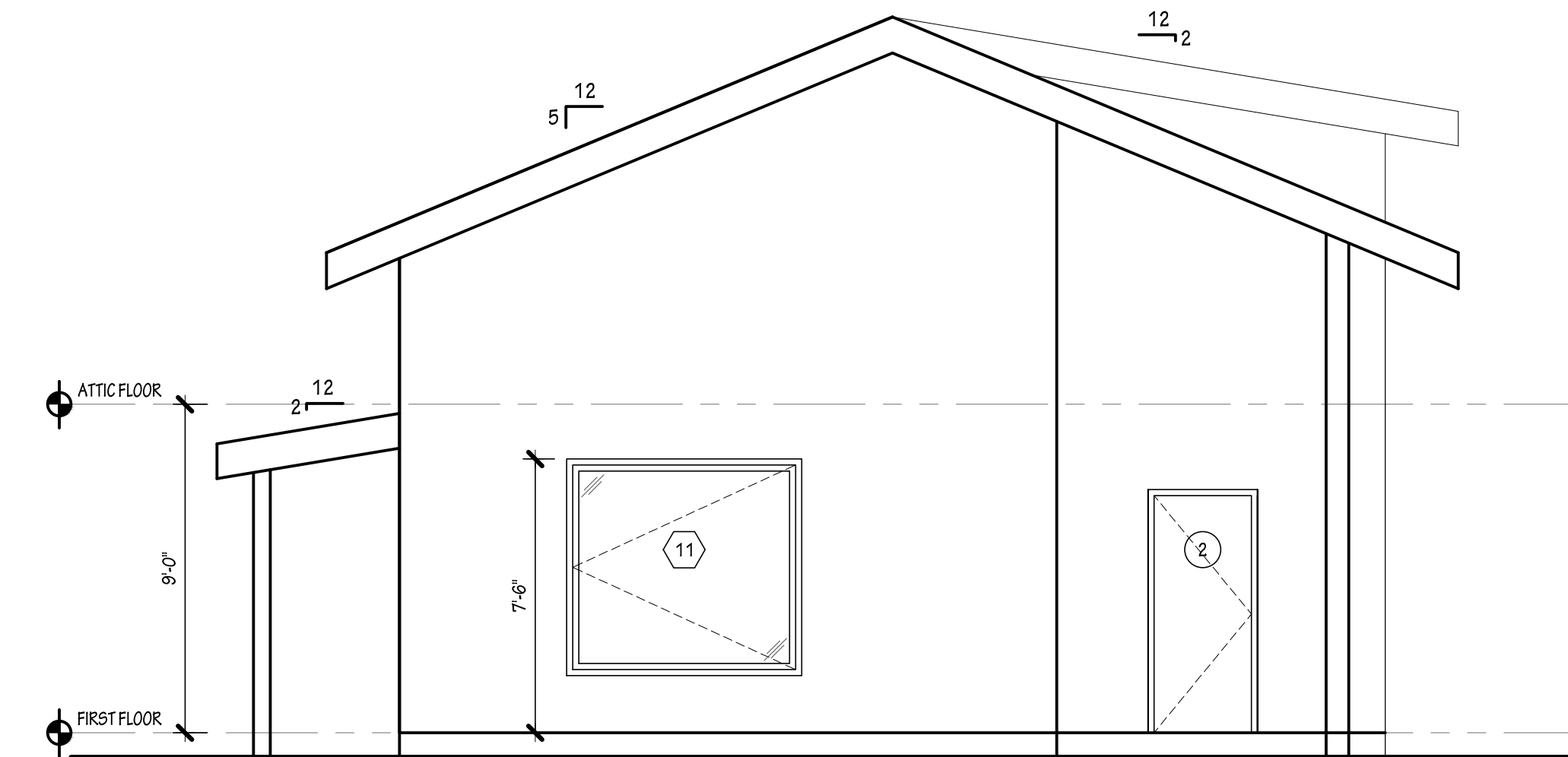
2 EAST ELEVATION

SCALE: 1/4"=1'-0"



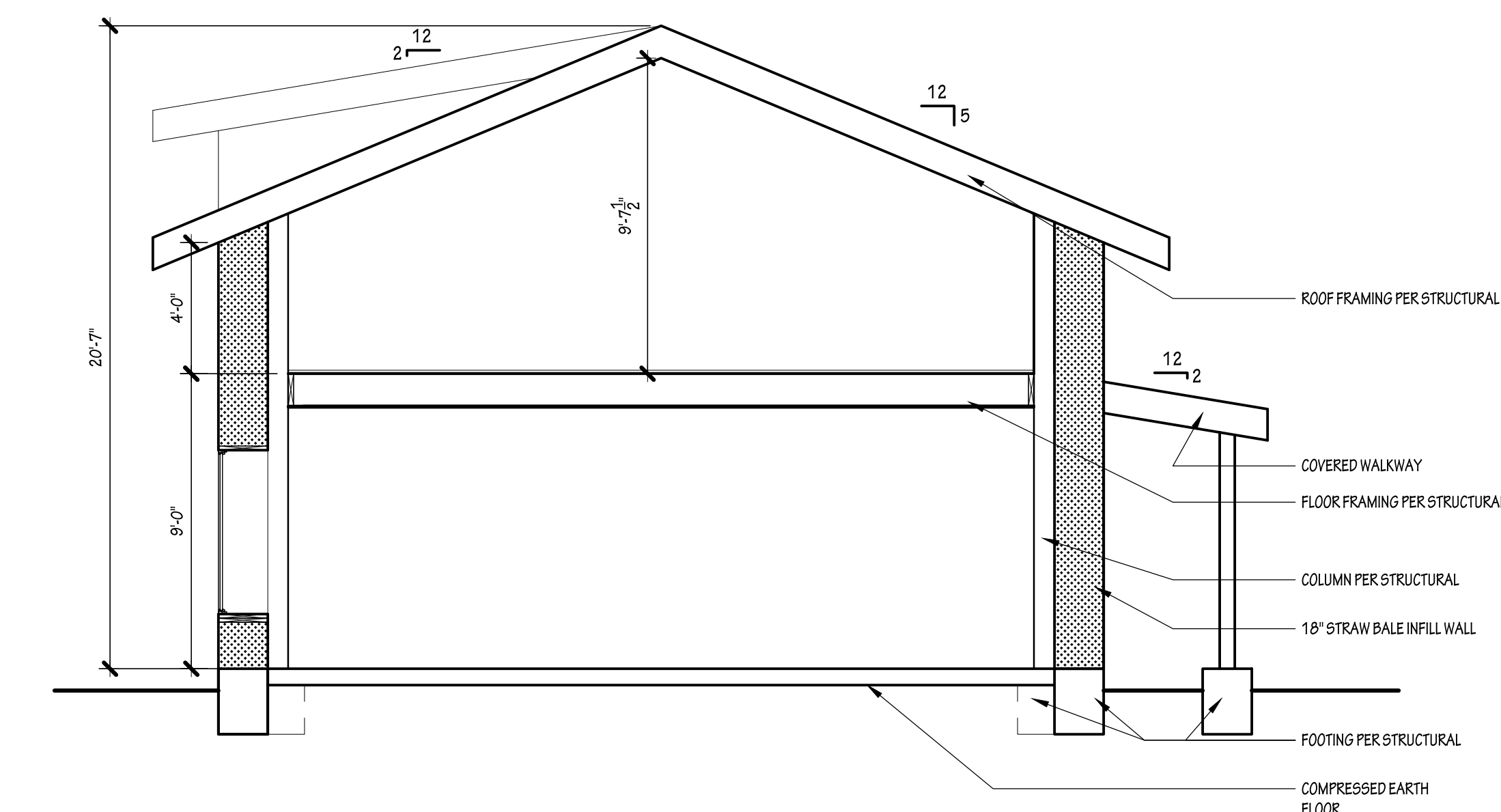
3 NORTH ELEVATION

SCALE: 1/4"=1'-0"



4 WEST ELEVATION

SCALE: 1/4"=1'-0"



1 SECTION A-A

SCALE: 1/4"=1'-0"

| WINDOW SCHEDULE | | | | |
|-----------------|-------------------------|----------------|----------|---------|
| MARK | SIZE (WxH) | STYLE | TEMPERED | REMARKS |
| ① | 2'-9 1/2" x 5'-11 1/2" | SINGLE HUNG | | EGRESS |
| ② | 2'-9 1/2" x 5'-11 1/2" | SINGLE HUNG | | EGRESS |
| ③ | 2'-5 1/2" x 5'-11 1/2" | CASEMENT | | |
| ④ | 6'-5 1/2" x 5'-11 1/2" | CASEMENT/FIXED | | |
| ⑤ | 2'-5 1/2" x 5'-11 1/2" | CASEMENT | | |
| ⑥ | 6'-5 1/2" x 5'-11 1/2" | CASEMENT/FIXED | | |
| ⑦ | 6'-5 1/2" x 5'-11 1/2" | CASEMENT/FIXED | | |
| ⑧ | 6'-5 1/2" x 5'-11 1/2" | CASEMENT/FIXED | | |
| ⑨ | 1'-11 1/2" x 2'-8 1/2" | FIXED | | |
| ⑩ | 3'-11 1/2" x 3'-11 1/2" | FIXED | | |
| ⑪ | 6'-5 1/2" x 5'-11 1/2" | CASEMENT/FIXED | | |
| ⑫ | 2'-9 1/2" x 5'-11 1/2" | SINGLE HUNG | | |
| ⑬ | 2'-9 1/2" x 5'-11 1/2" | SINGLE HUNG | | |
| ⑭ | 5'-11 1/2" x 2'-11 1/2" | FIXED | | |
| ⑮ | 5'-11 1/2" x 2'-11 1/2" | FIXED | | |

TYPICAL NOTES

1. ALL WINDOW AND DOOR OPENING DIMENSIONS ARE FOR ACTUAL (NET) SIZE OF WINDOW/DOOR UNLESS NOTED OTHERWISE. CONTRACTOR AND SUPPLIER TO VERIFY ALL SIZE, ROUGH OPENING REQUIREMENTS, OPERABILITY, AND TOTAL QUANTITIES FOR ALL WINDOWS/DOORS PRIOR TO FRAMING, ORDERING, AND INSTALLATION.
2. ALL WINDOWS TO MEET ENERGY REQUIREMENTS AS DICTATED BY CODE
3. ALL WINDOWS - MANUFACTURER, COLOR AND FINISH TO BE SELECTED BY OWNER AND ARCHITECT.

| DOOR SCHEDULE | | | |
|---------------|---------------|------------|---------|
| MARK | SIZE | TYPE | REMARKS |
| ① | 3'-0" x 6'-8" | EXT. SWING | |
| ② | 3'-0" x 6'-8" | EXT. SWING | |

~art, design, and education for a better, more sustainable world~

REGISTERED ARCHITECT
 EMILY G. SCALI
 STATE OF WASHINGTON
 11437
 This document is the property of Gridless Studio, LLC until transferred by actual sale. All rights reserved. No other use of this plan shall be permitted without written consent from Gridless Studio, LLC. All general contractors and subcontractors shall obtain a copy of this plan prior to start of project construction. ©2017

Drawn By: EGS
 Date: JUL 21, 2017
 Checked By: EGS
 Date: JUL 21, 2017
 Approved For Owner By and Date:

| Revisions | No. | By | Date | Description |
|-----------|-----|----|------|-------------|
| | | | | |

Project No: 17-202
 MEYER RESIDENCE
 BLACK ROCK ROAD NE
 MARLIN, WA
 Owner: AMBER & JEREMY MEYER
 683 SE 197TH AVE
 PORTLAND, OR 97233

Scale: 1/4" = 1'0" U.N.O.
 Sheet Title: ELEVATIONS
 Sheet No: A-3.0